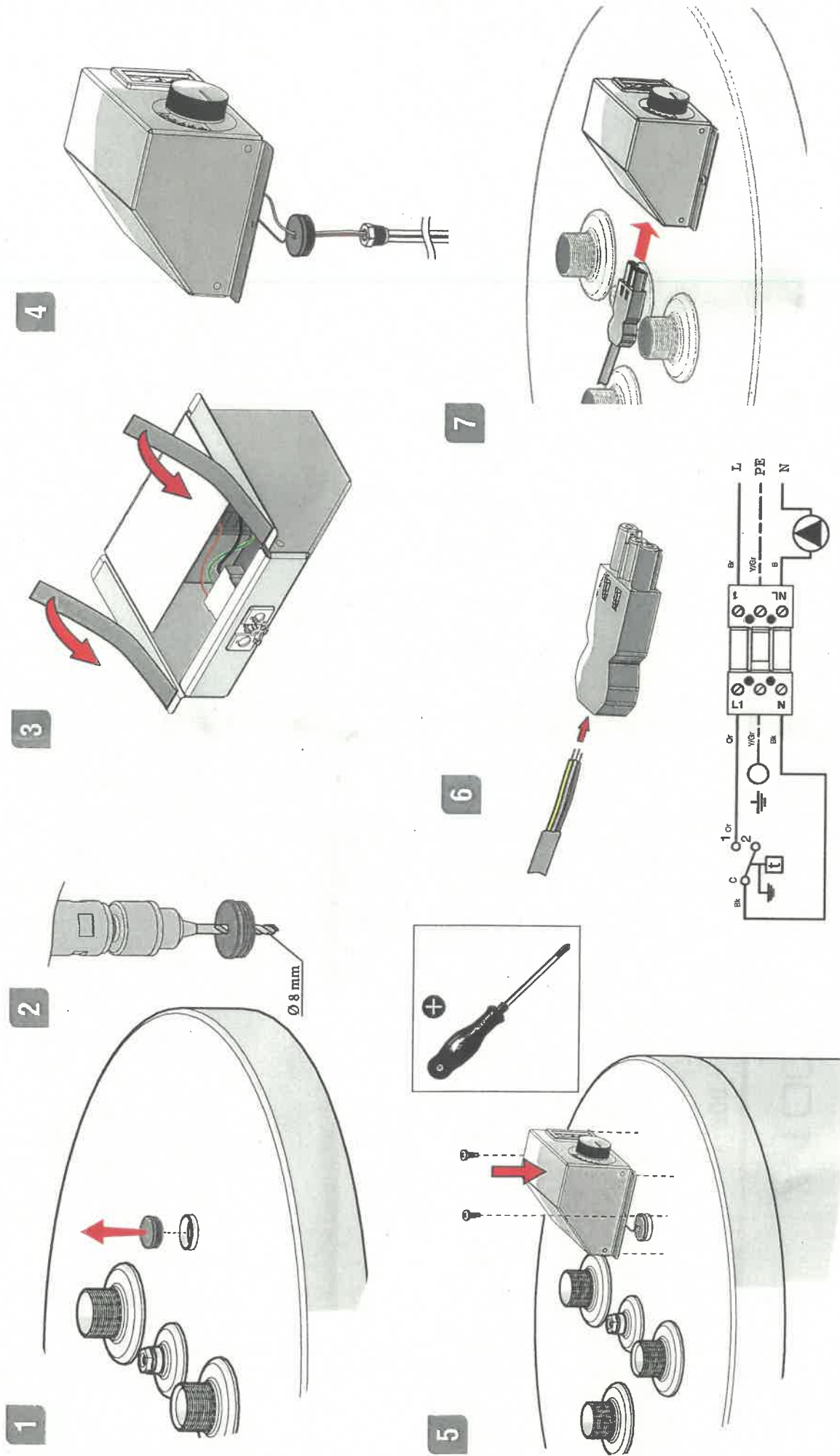


# A1004714 : THERMOSTAT MOUNTING KIT

Applicable to : HRs 320 - 600 - 800 - 1000



# A1004714 : THERMOSTAT MOUNTING KIT

Applicable to : HRI 320 - 600 - 800

