

# HeatMaster® 25 C Evo



Combined gas fired condensing boiler & water heater  
with stainless steel heat exchanger.



- > Heating and hot water from one unit saves space, reduces energy use and speeds up installation
- > Operates in most efficient mode (condensing) for heating
- > Low maintenance with no anode protection required
- > Easy to use standardised controls using ACVMax control system
- > Suited to smaller premises and lower flow rate requirements (smaller DHW tank than 25TC)
- > Corrosion-resistant stainless steel heat exchanger and tank reduces maintenance and increases system lifespan
- > Suitable for unvented systems – supplied with Systempak 1 including 3.5 bar mains unvented kit and DHW mixing valve
- > Supplied with LPG kit for on-site conversion
- > Reduces legionella risk due to water stored at > 60°C
- > Supplied with factory fitted T&P relief valve
- > Improved access for service and maintenance
- > 5-year warranty\*

## Tank-in-tank technology

- > **Fast** heat up
- > **Rapid** recovery
- > **Reduced** footprint
- > **Reduced** scale
- > **Low** storage required
- > **Minimal** heat loss



## ACV UK Ltd

St. David's Drive, St. David's Business Park, Dalgety Bay, Fife, KY11 9PF  
uk.sales@acv.com | acv.com

\*Terms & conditions available at [www.acv.com/gb/warranties](http://www.acv.com/gb/warranties).

# Technical data and dimensions

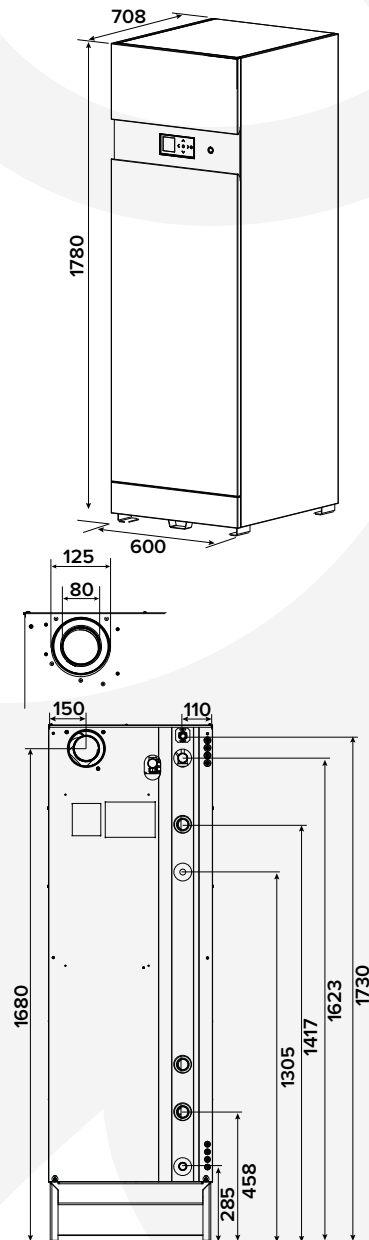


Type	Unit	HM25C Evo
Part number		XB550000
Fuel		Natural gas
Input max (heating) HCV	kW	27.8
Input min (heating) G20	kW	5
Output power max (80/60°C)	kW	24.3
Efficiency at 100% load (80/60)	%	98.0
Efficiency at 100% load (50/30°C)	%	103.9
Efficiency at 30% load (EN15502-1) – nett	%	109.0
Seasonal space heating efficiency	%	96.7
Capacity (domestic hot water)	L	80
Capacity (total)	L	200
Connection - heating	Ø"	1F
Connection - DHW	Ø"	1M
Connection gas	Ø"	¾ M
Flue connection	Ømm	80/125
Water pressure drop boiler at Δt = 20°C	mbar	3
Gas flow rate (max output)	m³/h	2.66
Weight (empty)	kg	174
Max operating temperature	°C	87
Max service pressure heating (primary)	bar	3
Max service pressure (DHW)	bar	8.6
Voltage	V	230
Declared load profile		XXL
NOx class (EN15502)		6
NOx weighted (GCV) (EN15502)	mg/kWh	26.3
Space heating energy efficiency class		A
Water heating energy efficiency class		B
Standby loss ΔT 30K	W	79
Standby loss ΔT 45K	W	124

## Domestic hot water performance

Type	Unit	HM25C Evo
Peak flow at 40°C	L/10'	233.5
Peak flow 1st hour at 40°C	L/60'	748
Continuous flow at 40°C	L/h	617
Peak flow at 60°C	L/10'	145
Peak flow 1st hour at 60°C	L/60'	478
Continuous flow at 60°C	L/h	400

This data assumes an incoming mains water temperature of 10°C.  
 \*In line with the recommendations specified in UK Building Regulations (2016) Part G, ACV UK Ltd advise the installation of a suitable domestic hot water thermostatic mixing valve on the hot flow immediately after the appliance.



All dimensions in mm.

Clearances	(minimum)
Top	300mm
Left side	600mm
Right side	250mm
Rear	400mm