

SMART E 130



Stainless steel indirect cylinder for domestic hot water.



- > Low cost solution, simple installation with no de-stratification kit needed and no flue requirements.
- > Minimal standing losses – cylinder comes with polyurethane foam insulation and thick polypropylene jacket
- > Reduces legionella risk due to temperature: hot water stored at > 60°C
- > Low maintenance with no anode protection required
- > Fits through a standard doorway for access to plant room
- > 5 year warranty* (T&Cs apply)
- > Can easily be coupled to a condensing boiler
- > Simplified wiring with 'plug and play' electrical connection
- > Supplied with 3kW immersion heater (6kW option available)
- > Suitable for unvented systems – supplied as a complete package with Smartpak 1 including 3.5 bar mains unvented kit
- > Maximise capacity of the cylinder with DHW mixing valve and 2 port valve supplied as standard



5 year warranty



Tank-in-tank technology

- > **Fast** heat up
- > **Rapid** recovery
- > **Reduced** footprint
- > **Reduced** scale
- > **Low** storage required
- > **Minimal** heat loss

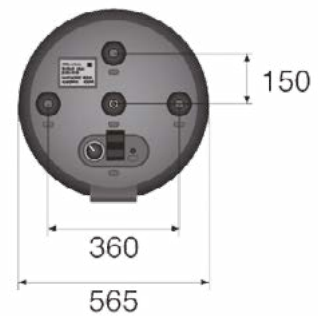
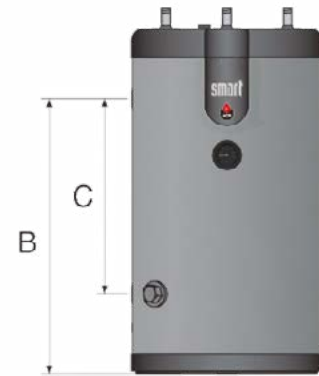
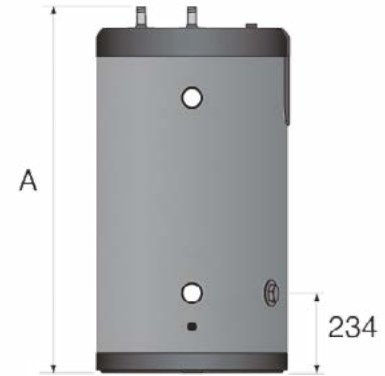
ACV UK Ltd

St. David's Drive, St. David's Business Park, Dalgety Bay, Fife, KY11 9PF
uk.sales@acv.com | acv.com

TECHNICAL DATA AND DIMENSIONS

TYPE	UNIT	SLE130
Dimensions A	mm	1024
Dimensions B	mm	759
Dimensions C	mm	525

TYPE	UNIT	SLE130
Part number		XB301300
Capacity (total)	L	130
Capacity (DHW)	L	75
Connection - primary	Ø"	1 F
Connection - DHW	Ø"	3/4 M
Connection - re-circulation / safety valve	Ø"	3/4 M
Max operating temperature	°C	90
Max operating pressure heating (primary)	bar	3
Max operating pressure (DHW)	bar	8.6
Weight (empty)	kg	45
Energy efficiency storage class		B
Voltage	V	230
Electrical consumption	W	220
Declared load profile		XXL
Standing loss	W	40
Standing loss	Kwh/day	0.96



Domestic hot water performance

TYPE	UNIT	SLE130
Peak flow at 40°C	L/10'	236
Peak flow 1st hour at 40°C	L/60'	784
Continuous flow at 40°C	L/h	658
Peak flow at 45°C	L/10'	202
Peak flow 1st hour at 45°C	L/60'	672
Continuous flow at 45°C	L/h	564
Peak flow at 60°C	L/10'	117
Peak flow 1st hour at 60°C	L/60'	384
Continuous flow at 60°C	L/h	320
Reheat time (EN 12897)	min	10
Max absorbed heat (Heat source: boiler)	kW	23

This data assumes an incoming mains water temperature of 10°C.

*In line with the recommendations specified in UK Building Regulations (2016) Part G, ACV UK Ltd advise the installation of a suitable domestic hot water thermostatic mixing valve on the hot flow immediately after the appliance.

All dimensions in mm.