

Brazed plate heat exchanger kit

60kW - DN50



Small installed
footprints



Suitable for a range
of ACV products



Bespoke spools
designed for connection
to Evo S cascade frame
and header kits



A complete system
separation solution



Low maintenance
and self-cleaning



Optimum heat
transfer

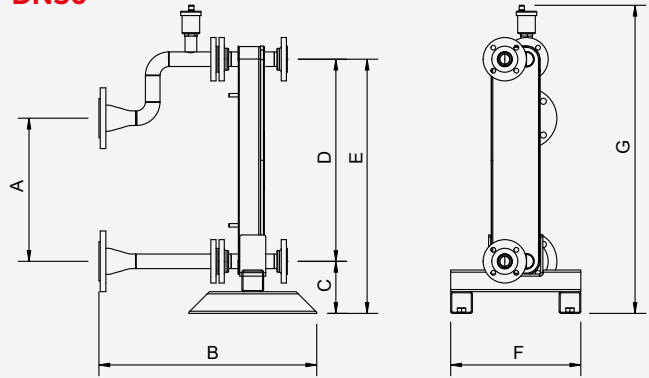
Technical specifications

60kW is the nominal capacity of the plate heat exchanger applying the operating temperatures and temperature differentials shown below.

Please contact ACV UK to confirm the expected performance if the operating conditions differ from those shown.

DIM A	DIM B	DIM C	DIM D	DIM E	DIM F	DIM G
330	502	120	466	586	300	710

DN50



	UNITS	HOT SIDE (PRIMARY)	COLD SIDE (SECONDARY)
Mass flow rate	kg/s	0.72	0.72
Inlet temperature	°C	80	50
Outlet temperature	°C	60	70
Pressure drop	kPa	14	19.3
Heat exchanged	kW	60	
Heat transfer area	m ²	1	
Flow configuration		Countercurrent	
Number of plates / thickness		20 / 0.3mm	
Number of passes		1	1
Pressure vessel code		PED	
Design pressure at 90.00 Celsius	Bar	40	40
Design pressure at 225.0 Celsius	Bar	32	32
Design temperature	°C	-196.0 / 225.0	
Overall length x width x height	mm	139 x 113 x 527	
Volume	L	1.0	0.9
Net weight, empty / operating	kg	5.8 / 7.7	

Standard materials

Cover plates	Stainless steel
Connections	Stainless steel
Plates	Stainless steel
Brazing	Copper

PLEASE NOTE:

The plate heat exchangers are to be used for system separation only. They must not be used for the direct production of domestic hot water.

They should not be used for direct heating of swimming pool water where the chlorinated pool water would pass directly through the plate heat exchanger.

Connections

FRAME & HEADER

Evo S DN50 DN50 frame & header kits are suitable for boilers with outputs from 40 to 70kW (inclusive)

SYSTEM

DN25

FLANGED

PN6

ACV UK Ltd

St. David's Drive, St. David's Business Park, Dalgety Bay, Fife, KY11 9PF
uk.sales@acvuk.com | acv.com/gb

Every effort has been taken to ensure the details are accurate. ACV UK Limited does not, however, guarantee the accuracy or completeness of any information nor does it accept liability for any errors or omissions in the information. ACV UK Limited reserves the right to make changes and improvements which may necessitate alteration to product specification without prior notice.

