

Brazed plate heat exchanger kit

600kW - DN100



Small installed footprints



Suitable for a range of ACV products



Bespoke spools designed for connection to Evo S cascade frame and header kits



A complete system separation solution



Low maintenance and self-cleaning

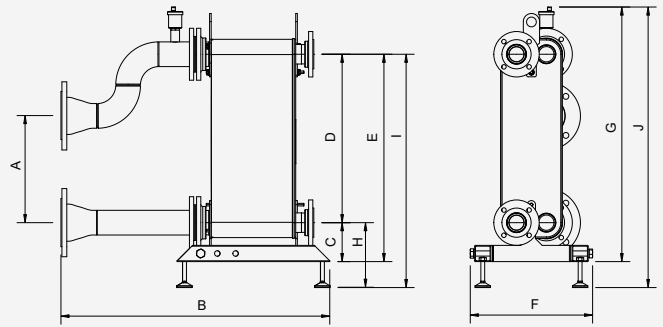


Optimum heat transfer

Technical specifications

600kW is the nominal capacity of the plate heat exchanger applying the operating temperatures and temperature differentials shown below.

Please contact ACV UK to confirm the expected performance if the operating conditions differ from those shown.



DIMENSIONS										
	A	B	C	D	E	F	G	H	I	J
DN100	330	828	120	519	639	377	785	199	719	865

	UNITS	HOT SIDE (PRIMARY)	COLD SIDE (SECONDARY)
Mass flow rate	kg/s	718	719
Inlet temperature	°C	80	50
Outlet temperature	°C	60	70
Pressure drop	kPa	14.8	17.3
Heat exchanged	kW	600	
Heat transfer area	m ²	10.5	
Flow configuration		Countercurrent	
Number of plates / thickness		96 / 0.3mm	
Number of passes		1	1
Pressure vessel code		PED	
Design pressure at 90.00 Celsius	Bar	30	30
Design pressure at 225.0 Celsius	Bar	25	25
Design temperature	°C	-196.0 / 225.0	
Overall length x width x height	mm	344 x 191 x 697	
Volume	L	10.1	9.9
Net weight, empty / operating	kg	40.1 / 59.7	

Standard materials

Cover plates	Stainless steel
Connections	Stainless steel
Plates	Stainless steel
Brazing	Copper

PLEASE NOTE: The plate heat exchangers are to be used for system separation only. They must not be used for the direct production of domestic hot water.

They should not be used for direct heating of swimming pool water where the chlorinated pool water would pass directly through the plate heat exchanger.

Connections

FRAME & HEADER	DN100
Standard Height Cascade	✓
Low Height Cascade	✓
SYSTEM	
DN25	
FLANGED	
PN6	

ACV UK Ltd

St. David's Drive, St. David's Business Park, Dalgety Bay, Fife, KY11 9PF
uk.sales@acvuk.com | acv.com/gb



Every effort has been taken to ensure the details are accurate. ACV UK Limited does not, however, guarantee the accuracy or completeness of any information nor does it accept liability for any errors or omissions in the information. ACV UK Limited reserves the right to make changes and improvements which may necessitate alteration to product specification without prior notice.