



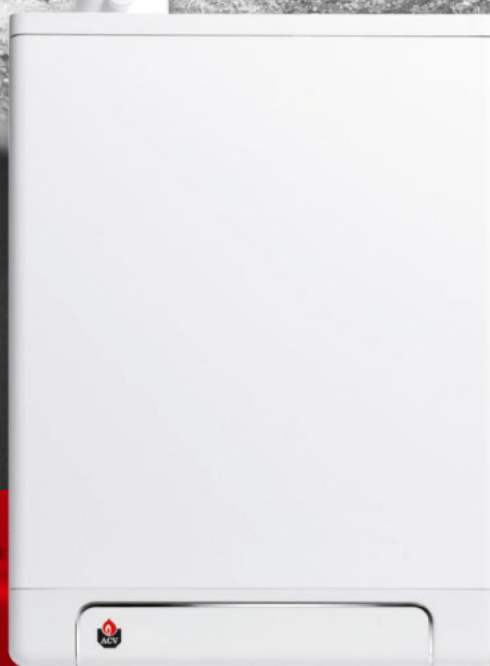
**EXCELLENCE
IN HOT WATER**

A BRAND OF GROUPE ATLANTIC

KOMPAKT HRE eco

COMBI 18/24 24/28 30/36

SOLO 12 18 30 40



KOMPAKT HR eco

HIGH EFFICIENCY WALL MOUNTED GAS CONDENSING BOILER THAT ALSO CONDENSES ON DHW MODE

This combi boiler offers heating and domestic hot water comfort in combination of low gas usage and an attractive price



COMBI BOILER WITH CONDENSATION TECHNOLOGY ON SPACE HEATING AND DOMESTIC HOT WATER

The Kompakt HRE eco has condensation technology on both space heating and domestic hot water. The secret is that it uses a unique two in one heat exchanger, with low heat losses and optimal heat exchange. The space heating water and the cold tap water are flowing direct into the heat exchanger, this enables optimal condensation of the flue gasses and reuses this energy direct into the water.

VERY COMPACT

The Kompakt HRE eco is a boiler that easily fit everywhere. The connections are easy to reach and a n extra cover plate is possible to order. You can use an on/off thermostat but also a modulating OpenTherm thermostat.

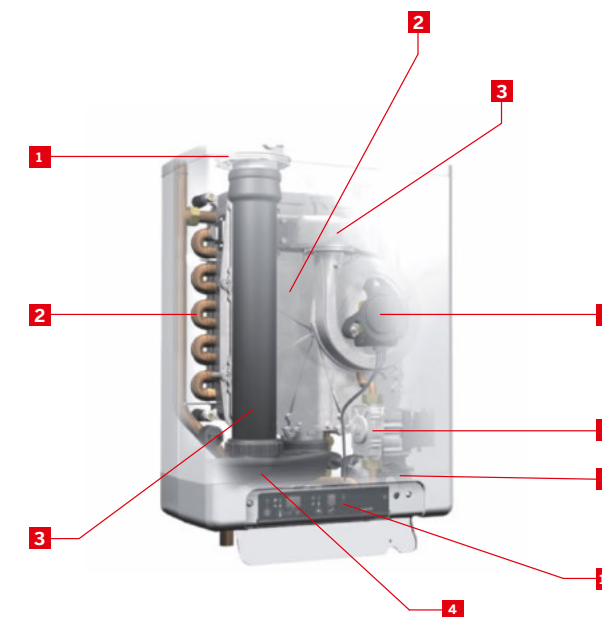


KOMPAKT HR eco HOW DOES IT WORK?

- Condensing on both mode
- 3 models to produce heating and sanitary
- Aluminum heat exchanger
- Premix Low-Nox burner
- Ecological
- Automatic outdoor temperature control if sensor connected
- Integrated DHW priority
- Compact and lightweight
- Condensate dish and flue gas outlet made of synthetic material
- Adaptable in 80-80
- High efficiency pump

1. Chimney connection with measurement
2. Heating coil
3. Flue gas outlet tube made of synthetic material
4. Condensate dish made of synthetic material
5. Aluminum exchanger with integrated sanitary coil
6. Low Temperature Total Condensing Tank
7. Fan
8. Gas valve
9. High performance heating circulator
10. Control panel

CHARACTERISTICS



EXCELLENCE
IN HOT WATER

A BRAND OF GROUPE ATLANTIC

TECHNICAL CHARACTERISTICS AND DIMENSIONS

Type		Kompakt HRE eco 18/24	Kompakt HRE eco 24/28	Kompakt HRE eco 30/36	Kompakt HRE eco 12 Solo	Kompakt HRE eco 18 Solo	Kompakt HRE eco 30 Solo	Kompakt HRE eco 40 Solo
Reference		08658801	08658901	08659001	A1004477	08658601	08658701	A1003090
Fuel		Natural gas	Natural gas	Natural gas	Natural gas	Natural gas	Natural gas	Natural gas
Input max (heating) LCV	kW	22,1	28	32,7	11,8	18,7	27,3	42,5
Input max (heating) HCV	kW	24,6	31,1	36,3	13,1	20,8	30,3	47,1
Output power max (80/60°C)	kW	17,8	22,8	26,3	11,5	17,8	26,3	40,9
Output power min (80/60°C)	kW	5,4	7,7	8,9	3,4	5,4	7,1	8,1
Efficiency at 30% load (EN677)	%	107,1	107,9	108,5	109,0	107,1	108,5	106,5
Connection - heating	Ø"	3/4	3/4	3/4	3/4	3/4	3/4	3/4
Connection - DHW	Ø"	1/2	1/2	1/2	-	-	-	-
Connection gas	Ø"	1/2 F	1/2 F	1/2 F	1/2 F	1/2 F	1/2 F	1/2 F
Gas flow rate (max output)	m³/h	2,3	2,9	3,4	1,22	1,95	2,84	4,40
Gas flow rate G25 (max output)	m³/h	2,92	3,36	3,92	1,42	2,2	3,22	5,1
Chimney connection	Ømm	60/100	60/100	60/100	60/100	60/100	60/100	60/100
Chimney: max length of concentric flue pipe	m	29 (80/125)	29 (80/125)	29 (80/125)	29 (80/125)	29 (80/125)	29 (80/125)	29 (80/125)
Dimensions A	mm	517	577	637	517	517	637	637
Dimensions B	mm	590	650	710	590	590	710	710
Weight (empty)	kg	30	33	36	30	30	36	36
Max operating temperature	°C	90	90	90	90	90	90	90
Max service pressure heating (primary)	bar	3	3	3	3	3	3	3
Voltage	V	230	230	230	230	230	230	230
Protection IP		44	44	44	44	44	44	44
Electrical consumption	W	35	35	35	35	35	35	35
Water heating energy efficiency (η _{wh}) (EU 814/2013 Art 2 (15) Ann.IV-3)	%	83	85	85	-	-	-	-
Declared load profile		L	XL	XL	-	-	-	-
Space heating energy efficiency class		A	A	A	A	A	A	A
Water heating energy efficiency class		A	A	A	-	-	-	-

DOMESTIC HOT WATER PERFORMANCE

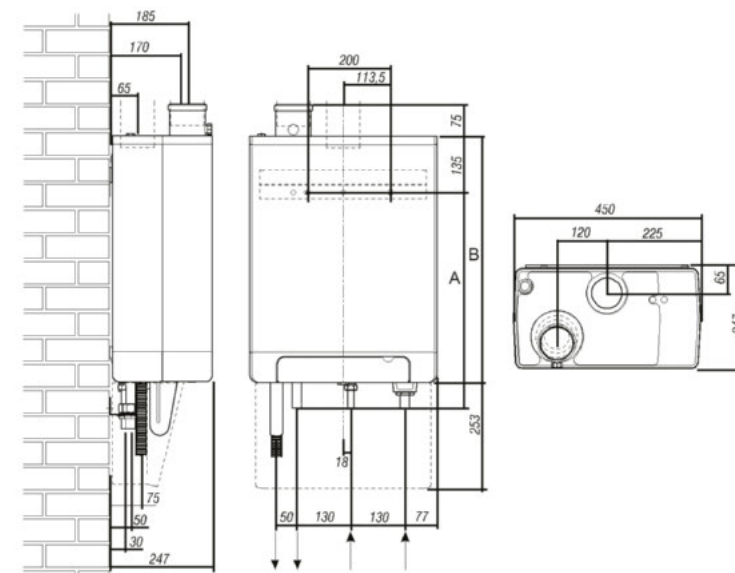
Type		Kompakt HRE eco 18/24	Kompakt HRE eco 24/28	Kompakt HRE eco 30/36
DHW flow at 60°C	L/min	6	7,5	9
DHW flow at 40°C (mixed)	L/min	10	12,5	15

CONNECTION TO THE CHIMNEY

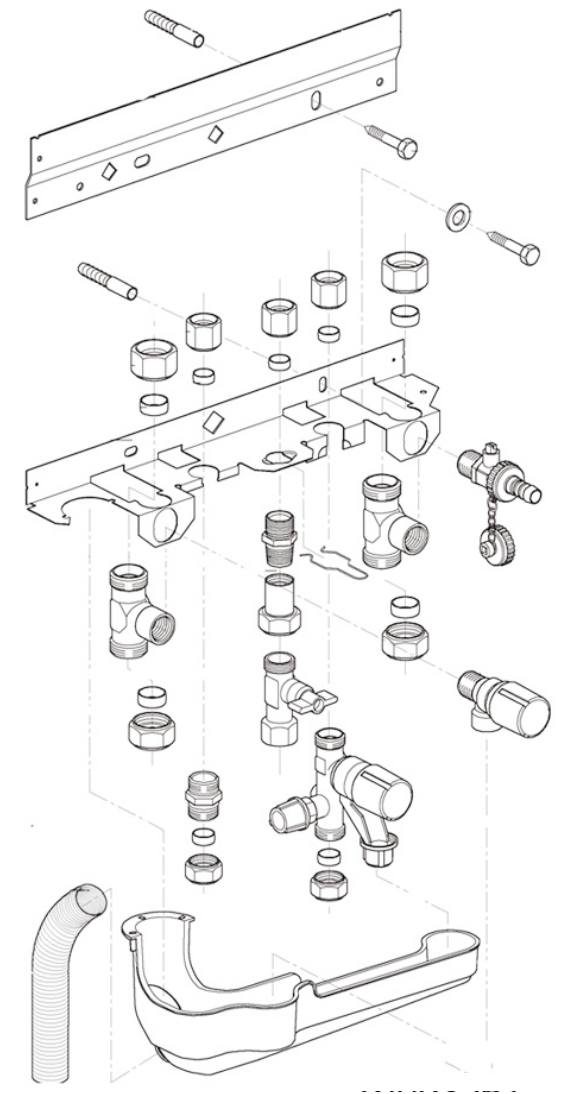
B23-B33-C13-C33-C43-C53-C83-C93



DIMENSIONS



91093397



91093267

Belgium

ACV Belgium nv/sa
Oude vijverweg 6
1653 Dworp - Belgium
T +32 (0)2 334 82 40
Belgium.info@acv.com

Chile

Albin Trotter y ACV Ltda
San pablo 3802
Quinta normal -Santiago - Chile
T +56 2 772 92 62
F +56 2 772 92 63
Chile.info@acv.com

China

ACV Heating technology (Beijing)
co., Ltd.
9/f China central place tower 2
79 Jianguo road, Chaoyang
district
Beijing 100025 - China
T +86 10 5920 4288
China.info@acv.com

Czech republic & Slovakia

ACV Cr spol. s r.o.
Na krecku 365
109 04 Praha 10 - Czech republic
T +420 2 720 83 341
F +420 2 720 83 343
Ceskarepublika.info@acv.com

France

ACV France sa
Zac du bois chevrier, 122 rue
Pasteur
69780 Toussieu - France
T +33 4 72 47 07 76
F +33 4 72 47 08 72
France.info@acv.com

Germany

ACV Wärmetechnik gmbh
Gartenstrasse
08132
Mülsen St. Jacob - Germany
T +49 37601 311 30
F +49 37601 311 31
Deutschland.info@acv.com

Italy

ACV Italia
Via pana 92
48018 Faenza (ra) - Italia
T +39 0546 64 61 44
F +39 0546 64 61 50
Italia.info@acv.com

Poland

ACV Polska sp. z.o.o.
ul.witosa 3
87 - 800 Włocławek - Poland
T +48 54 412 56 00
F +48 54 412 56 01
Polska.info@acv.com

Russia

ACV Russia
8th Tekstylschicov 11, of. 220
109129 Moscow - Russia
T +7 499 272 1965
Russia.info@acv.com

Spain

ACV Sspana s.a.
C/de la teixidora 76
Pol. ind. les hortos
08302 Mataro - Spain
T +34 93 759 54 51
F +34 93 759 34 98
Spain.info@acv.com

United Kingdom & Ireland

ACV UK Ltd
St. David's business park
Dalgety Bay - fife - ky11 9pf
T +44 1383 82 01 00
F +44 1383 82 01 80
Uk.info@acv.com

USA

Triangle Tube
1240 Gorest parkway - suite 100
West deptford nj 08066
T +1 856 228 8881
Sales.triangletube@acv.com

**ACV INTERNATIONAL NV/SA**

Oude Vijverweg 6
1653 Dworp - BELGIUM
T +32 (0)2 334 82 40
international.info@acv.com