



**EXCELLENCE  
IN HOT WATER**

**A BRAND OF GROUPE ATLANTIC**

**E-TECH**

**WHEN ONLY ELECTRIC WILL DO**





# E-TECH

A COMPLETE RANGE OF HIGH QUALITY  
ELECTRICALLY POWERED BOILERS



**Electrical energy has a future. With concerns about emissions ever greater, electric heating may stage an impressive comeback to popularity. Today, ACV proposes a range of models each serving a particular customer need, and offering the benefits of our experience in durable and efficient heating and hot water solutions. Even where alternatives are possible, your best choice may be to heat electrically.**

The E-tech wall hung boiler is a good choice in a compact model that is installer-friendly and requiring low maintenance and can be fitted in homes or office environments either as a main or back-up supply of heating and hot water.

For electricity to succeed, it is vital that every watt of input finishes up as useful hot water and heating. The range of E-tech S Tank-in-Tank thermal storage units is designed to do just that. Four conveniently sized models are available and each benefits from the clever integration of our stainless steel Tank-in-Tank technology with an equally advanced electric boiler control system.

For the larger commercial and applications we propose the E-tech S, a Floor standing, high output, three phase electric boiler that can be used as a primary heat source or emergency back up.

## E-TECH W HOW DOES IT WORK?



D

ACV electric boilers are the choice for security and simplicity of use, with our trademark quality and comfort. ACV proposes a complete range of electrical boilers, in each case adapted to the use of either domestic or industrial application.

- Install anywhere
- They do not need a chimney, and only require the minimum of ventilation (installation costs can be kept very low)
- Maximise security (no flammable fuels)
- Maximum reliability and longevity
- Low maintenance costs
- Extremely silent
- Wall-hung electric boiler for heating only
- Comfort of hydraulic heating
- Boiler body in steel
- Individual low power electric elements in Incoloy
- Two stage power modulation via mechanical thermostat: the E-Tech adapts automatically to the heating demand
- Complete with power relays, switchers, thermostat, mano-thermometer, heating pump, 8-litre expansion vessel and safety valve
- Two optional kits for instantaneous production of domestic hot water and second circuit respectively
- Compatible with wet radiator or underfloor heating installations
- Optional 24-hour or 7-day time clock
- 5 models with power: with power of 9, 15, 22, 28 or 36 kW



EXCELLENCE  
IN HOT WATER

A BRAND OF GROUPE ATLANTIC



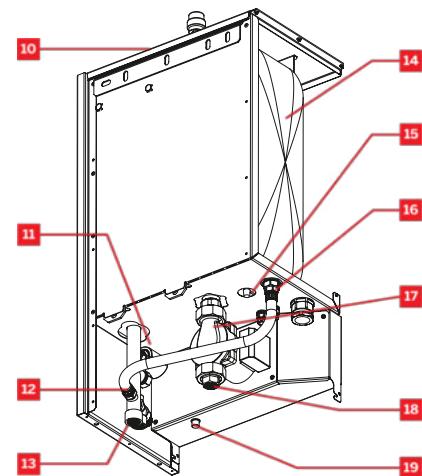
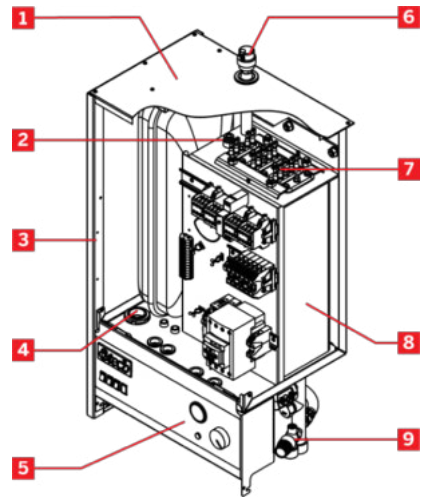


## E-TECH W 09 - 36

Wall mounted electric sealed system boiler. An economical alternative to LPG and Oil.

- Available in 7 models
- Compatible with radiators or underfloor heating installations.
- Ready to use.
- Equipped with a 10 Liters expansion vessel, pressure gauge, safety valve, low water pressure switch, HEP-pump, automatic air vent.
- Removable heating elements constructed from incoloy 800 stainless steel.
- Modulation based on heating demand.
- Built in control circuit protected by internal 3 amp MCB.

Optional kit for instantaneous domestic hot water is available



Reference	Name	Electrical power	
A1002095	E-Tech W 09 mono	5,6 / 8,4	D
A1002092	E-Tech W 09 tri	5,6 / 8,4	D
A1002096	E-Tech W 15 mono	9,6 / 14,4	D
A1002090	E-Tech W 15 tri	9,6 / 14,4	D
A1002091	E-Tech W 22 tri	14,4 / 21,6	D
A1002093	E-Tech W 28 tri	14,4 / 28,8	D
A1002094	E-Tech W 36 tri	18,0 / 36,0	D

### ACCESSORIES

Reference	Description
10800358	Room thermostat RC 30. On/Off, digital display, 7 days program, 4 daily changes, AA-batteries
10800085	E-Tech sanitary kit with plate heat exchanger for instantaneous DHW production
A1002653	E-Tech sanitary kit for external hot water tank
10800102	Domestic unvented kit for residential boilers including pressure reducing valve, thermostatic mixing valve and 3/4" connection for the Domestic Hot Water expansion vessel.

1. Top panel
2. Brass pocket
3. Side panel
4. Cable gland
5. Control panel
6. Automatic air vent
7. Heating elements
8. Heating body
9. Pressure safety valve
10. Rear panel
11. Water pressure switch
12. Expansion vessel connection
13. Heating return
14. Expansion vessel
15. Expansion vessel valve
16. Expansion vessel connection
17. HEP circulating pump
18. Heating flow
19. Manual reset high limit pressure gauge

Possibility of coupling a Smart cylinder.

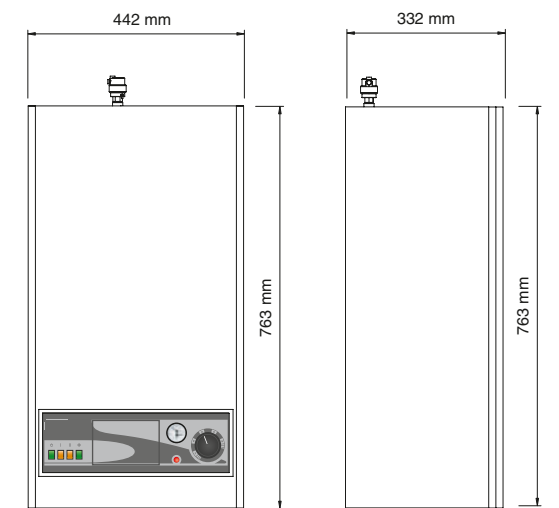
Always ensure a safety thermostat is fitted to the underfloor heating circuit.

EXCELLENCE  
IN HOT WATER

A BRAND OF GROUPE ATLANTIC

### TECHNICAL CHARACTERISTICS AND DIMENSIONS

Type		E-Tech W 09 mono	E-Tech W 09 tri	E-Tech W 15 mono	E-Tech W 15 tri	E-Tech W 22 tri	E-Tech W 28 tri	E-Tech W 36 tri
Reference		A1002095	A1002092	A1002096	A1002090	A1002091	A1002093	A1002094
Voltage	V	1x230	3x400 (+N)	1x230	3x400 (+N)	3x400 (+N)	3x400 (+N)	3x400 (+N)
Electrical power	kW	5,6 / 8,4	5,6 / 8,4	9,6 / 14,4	9,6 / 14,4	14,4 / 21,6	14,4 / 28,8	18,0 / 36,0
Electrical power requirements	A	36	12	63	21	32	42	52
Number of heating elements		3	3	3	3	5	6	6
Electrical Resistance	kW	2 x 1,4	2 x 1,4	2 x 2,4	2 x 2,4	2 x 2,4	2 x 2,4	2 x 3,0
Connection - heating	Ø"	3/4	3/4	3/4	3/4	3/4	3/4	3/4
Protection IP		43	43	43	43	43	43	43
Max operating temperature	°C	85	85	85	85	85	85	85
Max service pressure heating (primary)	bar	3	3	3	3	3	3	3
Capacity (total)	L	13	13	13	13	13	13	13
Capacity expansion tank(s)	L	10	10	10	10	10	10	10
Weight (empty)	kg	45	45	45	45	45	45	45
Space heating energy efficiency class		D	D	D	D	D	D	D





## E-TECH S

**COMPACT FLOOR STANDING COMBINATION ELECTRIC BOILER. FLEXIBLE INSTALLATION OPTIONS.**

- Combines the strengths of electric heating with the advantages of Tank-in-Tank and the proven reliability of stainless steel.
- 4 power stages
- Quiet operation
- No flue
- Reduced maintenance (no landlord certification)
- Can be used as a stand alone water heater
- High hot water storage temperature reduces legionellae bacteria risk
- Flexible installation options for flow and return connections
- Vented or unvented use with pressure 'SystemPaks' available
- Integral primary heating sealed system kit and circulating pump
- Small footprint enabling compact installation
- Integrated controls

## E-TECH P

**FLOOR STANDING, HIGH OUTPUT, THREE PHASE ELECTRIC BOILER. USE AS A PRIMARY HEAT SOURCE OR EMERGENCY BACK UP.**

- Steel heating body and removable stainless steel heating elements
- Four power stages – controlled by a stage delay timer
- Can easily be de-rated to provide less output if required
- Fully wired power and control circuits
- Stove enamelled casing
- Control panel including thermostats, thermometer, indicators and on/off switch
- Very little maintenance required
- Can also be used in multiple boiler installations
- 5 Models in the range from 57.6 kW to 259.2 kW



(57,6)



## E-TECH S 160 - 380

Compact floor standing combination electric boiler. Flexible installation options.

- Quiet operation
- No chimney
- Reduced Maintenance
- Can be used as a stand alone water heater
- Modulation based on heating demand
- Flexible installation options for flow and return connections
- Integral primary heating sealed system kit and circulating pump
- Small footprint enabling compact installation
- Integrated controls
- Internal stainless steel tank-in-tank DHW storage
- Boiler insulated with rigid polyurethane foam without CFC projected 70 mm.
- Model 380 Liters non Ecodesign compliant.

### TANK-IN-TANK TECHNOLOGY

Multiple connections for installation flexibility

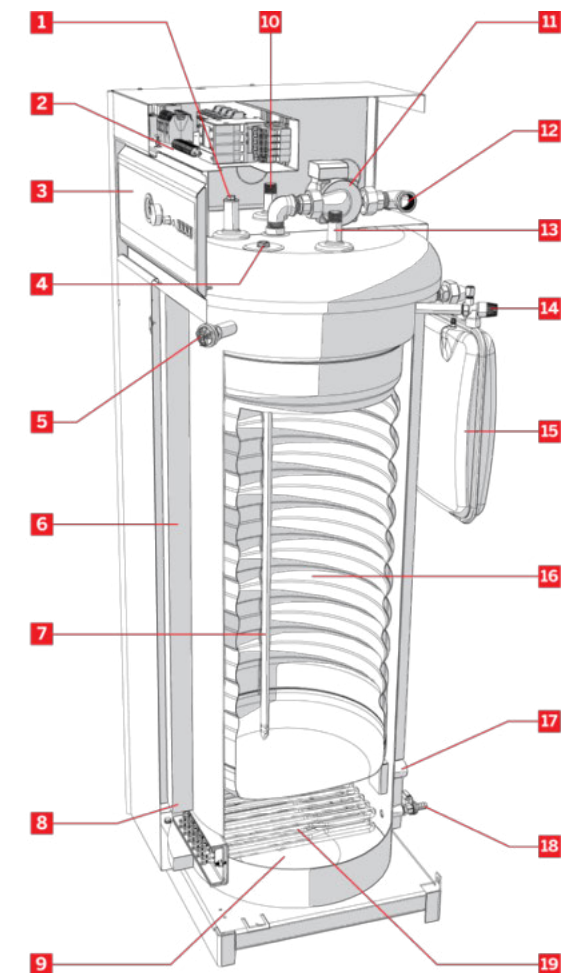


1. Auxiliary connection DHW
2. Electrical support
3. Control panel
4. Drywell for limit thermostats [90°C max] and thermometer bulbs
5. Low-water pressure switch
6. Thermal insulation
7. Dip tube
8. Drywell for control thermostat, safety thermostat [103°C] and bulbs
9. Primary circuit
10. Cold water inlet
11. Heating pump
12. Heating circuit outlet
13. DHW outlet
14. Safety valve (3 bar)
15. Primary expansion vessel
16. Stainless steel tank [DHW]
17. Heating circuit return
18. Drain valve
19. Electrical heating elements

Reference	Name	Voltage			
A1002085	E-Tech S 160 Mono	1x230 + N	D	D	H
A1002084	E-Tech S 160 Tri	3x400 + N	D	D	H
A1002086	E-Tech S 240 Tri	3x400 + N	D	D	H
A1002087	E-Tech S 380 Tri	3x400 + N	D	E	H

### ACCESSORIES

Reference	Description
	Room thermostat RC 30. On/Off, digital display, 7 days program,
10800358	4 daily changes, AA-batteries



Always ensure a safety thermostat is fitted to the underfloor heating circuit.



## TECHNICAL CHARACTERISTICS AND DIMENSIONS

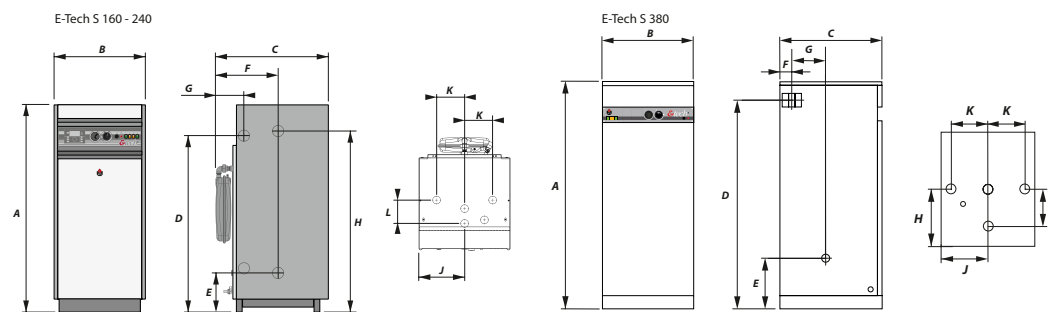
Type		E-Tech S 160 Mono	E-Tech S 160 Tri	E-Tech S 240 Tri	E-Tech S 380 Tri
Reference		A1002085	A1002084	A1002086	A1002087
Voltage	V	1x230 + N	3x400 + N	3x400 + N	3x400 + N
Electrical power	kW	14,4	14,4	28,8	28,8
Number of heating elements		6 x 2	6 x 2	6 x 2	7 x 2
Capacity (total)	L	167	167	250	394
Capacity (primary)	L	68	68	86	131
Connection - heating	Ø"	1 F	1 F	1 M	1 M
Connection - DHW	Ø"	3/4 M	3/4 M	3/4 F	6/4 F
Max operating temperature	°C	85	85	85	85
Max service pressure (DHW)	bar	10	10	10	10
Dimensions A	mm	1342	1342	1818	2134
Dimensions B	mm	590	590	590	720
Dimensions C	mm	728	728	728	800
Dimensions D	mm	928	928	1403	1985
Dimensions E	mm	249	249	249	300
Dimensions F	mm	402	402	402	92
Dimensions G	mm	181	181	181	265
Dimensions H	mm	958	958	1433	435
Dimensions J	mm	295	295	295	360
Dimensions K	mm	180	180	180	135
Dimensions L	mm	150	150	150	135
Weight (empty)	kg	115	115	155	230
Declared load profile		XL	XL	XL	XL
Space heating energy efficiency class		D	D	D	D
Water heating energy efficiency class		D	D	D	E
Water heating energy efficiency [hwh] (EU 814/2013 Art 2 (15) Ann.IV-3)	%	38	38	38	33

## DOMESTIC HOT WATER PERFORMANCE

Type		E-Tech S 160 Mono	E-Tech S 160 Tri	E-Tech S 240 Tri	E-Tech S 380 Tri
Peak flow at 40°C	L/10'	356	356	545	875
Peak flow 1st hour at 40°C	L/60'	700	700	1234	1564
Continuous flow at 40°C	L/h	413	413	827	827

## WORKING TEMPERATURE

Performance data assumes :  
 Primary flow temperature : 80 °C  
 Drawing water : 60 °C  
 Domestic cold water supply : 10 °C

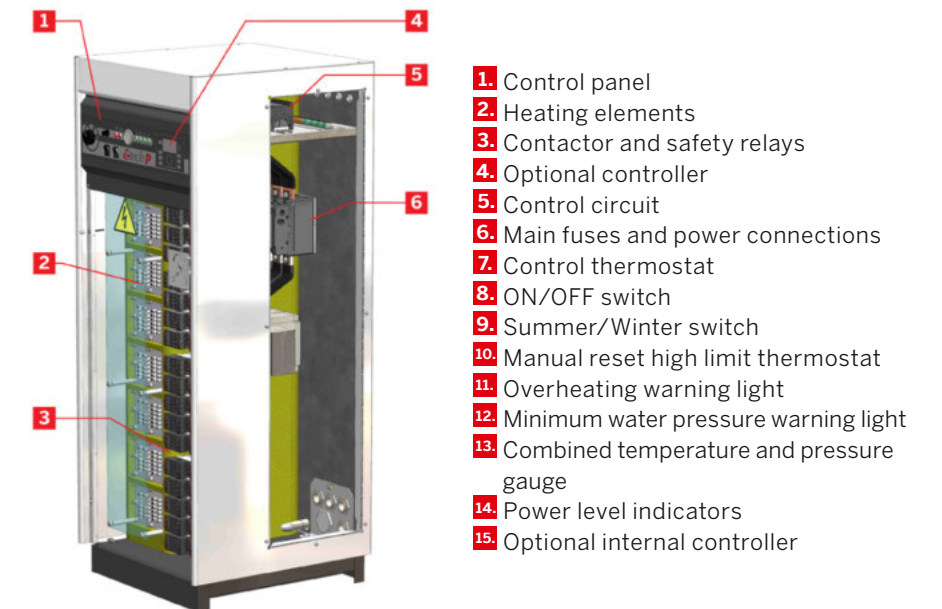


## E-TECH P 57 - 259

Floor standing, high output 3-phase electric boiler. Use as a primary heat source or emergency back up.

- Available in 5 models
- Ready to use
- Four power stages - controlled by a stage delay timer
- Can easily be de-rated to provide less output if required
- Fully wired power and control circuits
- Stove enameled casing
- Control panel including thermostats, thermometer, indicators and on/off switch
- Very little maintenance required
- Heater steel STW 22 thick
- Heating elements made of stainless steel immersed in the Incoloy 800 heating body to the front of the boiler
- Power circuit 400 V three-phase without neutral
- Control circuit 230 V single phase
- Control circuit protected by an internal circuit breaker reset 3 amps
- Each contactor supplying two sets of resistors 3 x 2.4 kW ( 14.4 kW total) is protected by a thermal magnetic circuit breaker

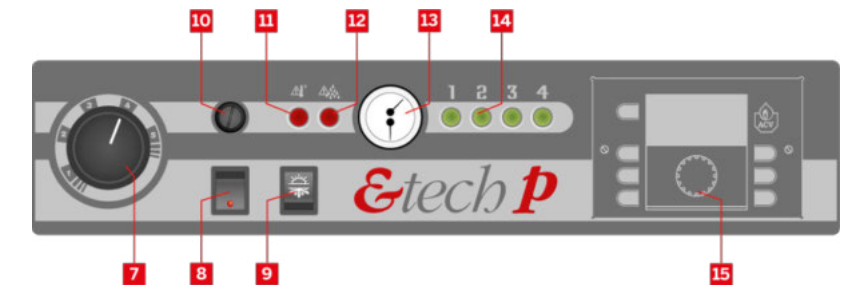
Reference	Name	Voltage	
00624201	E-Tech P 57	3x400	D
00624301	E-Tech P 115	3x400	
00624401	E-Tech P 144	3x400	
00624801	E-Tech P 201	3x400	
00624501	E-Tech P 259	3x400	



Can also be used in multiple boiler installations for higher combined output

## ACCESSORIES

Reference	Description
10800358	Room thermostat RC 30. On/Off, digital display, 7 days program, 4 daily changes, AA-batteries



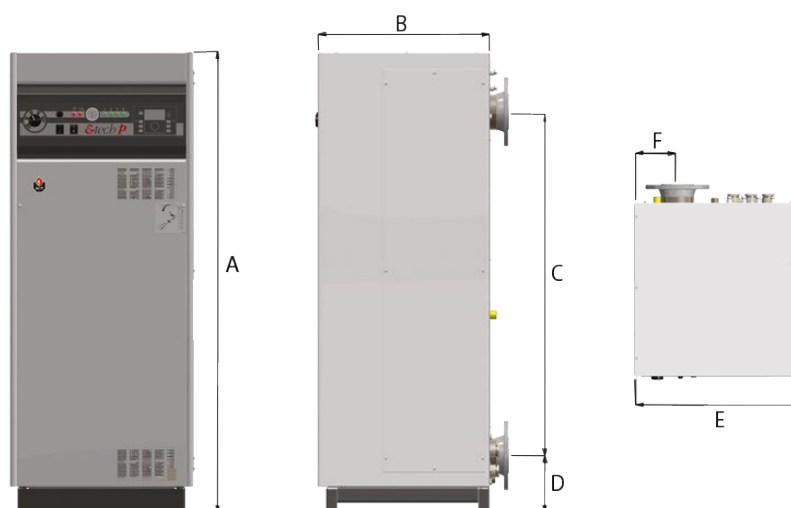


**EXCELLENCE  
IN HOT WATER**

A BRAND OF GROUPE ATLANTIC

## TECHNICAL CHARACTERISTICS AND DIMENSIONS

Type		E-Tech P 57	E-Tech P 115	E-Tech P 144	E-Tech P 201	E-Tech P 259
Reference		00624201	00624301	00624401	00624801	00624501
Voltage	V	3x400	3x400	3x400	3x400	3x400
Electrical power	kW	14,4 / 57,6	28,8 / 115,2	36,0 / 144,0	50,4 / 201,6	64,8 / 259,2
Number of heating elements		2	4	5	7	9
Capacity (total)	L	60	60	60	102	102
Connection - heating	Ø"	2 F	2 F	2 F	DN100	DN100
Max operating temperature	°C	90	90	90	90	90
Max service pressure heating (primary)	bar	4	4	4	4	4
Dimensions A	mm	1475	1475	1475	1475	1475
Dimensions B	mm	600	600	600	600	600
Dimensions C	mm	550	550	550	1100	1100
Dimensions D	mm	183	183	183	183	183
Dimensions E	mm	593	593	593	593	593
Dimensions F	mm	150	150	150	150	150
Weight (empty)	kg	110	123	131	187	200
Space heating energy efficiency class		D	-	-	-	-



**Belgium**

ACV Belgium nv/sa  
Oude vijverweg 6  
1653 Dworp - Belgium  
T +32 (0)2 334 82 40  
Belgium.info@acv.com

**Chile**

Albin Trotter y ACV Ltda  
San pablo 3802  
Quinta normal -Santiago - Chile  
T +56 2 772 92 62  
F +56 2 772 92 63  
Chile.info@acv.com

**China**

ACV Heating technology (Beijing)  
co., Ltd.  
9/f China central place tower 2  
79 Jianguo road, Chaoyang  
district  
Beijing 100025 - China  
T +86 10 5920 4288  
China.info@acv.com

**Czech republic & Slovakia**

ACV Cr spol. s r.o.  
Na krecku 365  
109 04 Praha 10 - Czech republic  
T +420 2 720 83 341  
F +420 2 720 83 343  
Ceskairepublika.info@acv.com

**France**

ACV France sa  
Zac du bois chevrier, 122 rue  
Pasteur  
69780 Toussieu - France  
T +33 4 72 47 07 76  
F +33 4 72 47 08 72  
France.info@acv.com

**Germany**

ACV Wärmetechnik gmbh  
Gartenstrasse  
08132  
Mülsen St. Jacob - Germany  
T +49 37601 311 30  
F +49 37601 311 31  
Deutschland.info@acv.com

**Italy**

ACV Italia  
Via pana 92  
48018 Faenza (ra) - Italia  
T +39 0546 64 61 44  
F +39 0546 64 61 50  
Italia.info@acv.com

**Poland**

ACV Polska sp. z.o.o.  
ul.witosa 3  
87 - 800 Włocławek - Poland  
T +48 54 412 56 00  
F +48 54 412 56 01  
Polska.info@acv.com

**Russia**

ACV Russia  
8th Tekstylschicov 11, of. 220  
109129 Moscow - Russia  
T +7 499 272 1965  
Russia.info@acv.com

**Spain**

ACV Sspana s.a.  
C/de la teixidora 76  
Pol. ind. les hortos  
08302 Mataro - Spain  
T +34 93 759 54 51  
F +34 93 759 34 98  
Spain.info@acv.com

**United Kingdom & Ireland**

ACV UK Ltd  
St. David's business park  
Dalgety Bay - fife - ky11 9pf  
T +44 1383 82 01 00  
F +44 1383 82 01 80  
Uk.info@acv.com

**USA**

Triangle Tube  
1240 Gorest parkway - suite 100  
West deptford nj 08066  
T +1 856 228 8881  
Sales.triangletube@acv.com

**ACV INTERNATIONAL NV/SA**

Oude Vijverweg 6  
1653 Dworp - BELGIUM  
T +32 (0)2 334 82 40  
international.info@acv.com